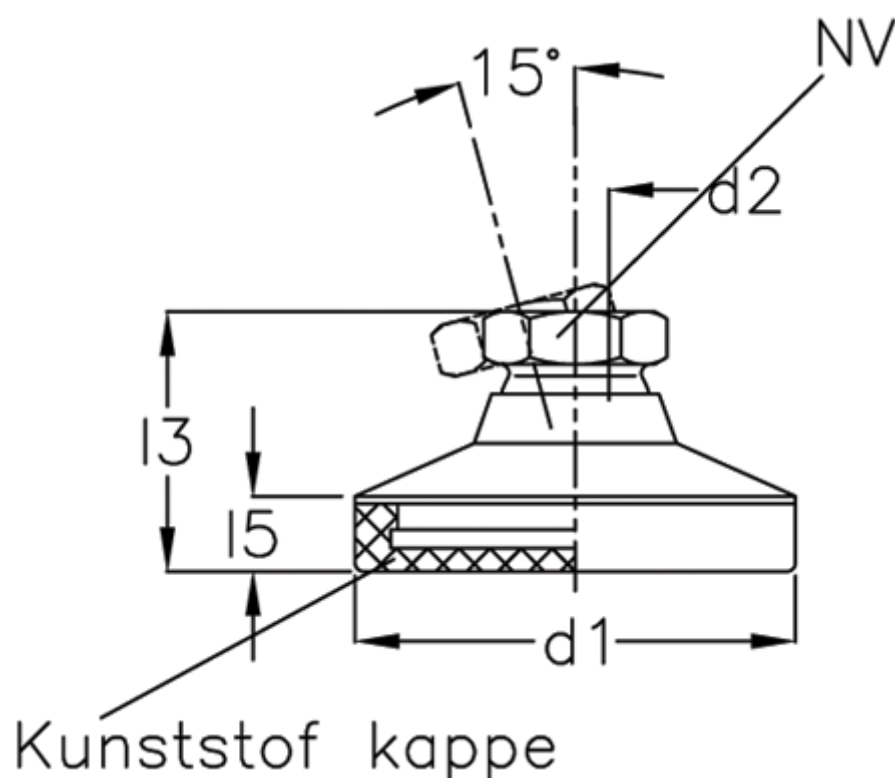


Article number: 20343532M8KR
Description: E+G levelling foot
GN 343.5-32-M8-KR

Measures



d1	= 32
d2	= 8
l3	= 24.5
l5	= 6.5
NV	= 12
Static load (N)	= 10
t min	= 9